



Pipeline Accessories

Single builder set/
Double builder set
4 heating



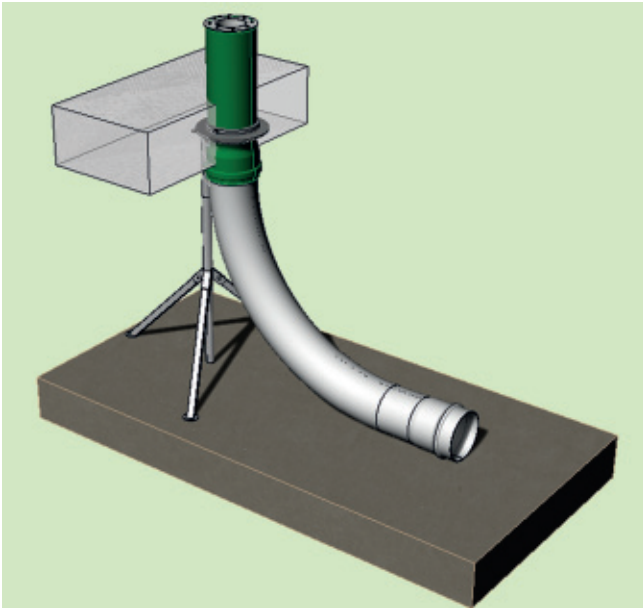
Installation Instruction
District Heating Baseplate
Penetration 4 pipes

Installation Instruction

District Heating Baseplate Penetration 4 pipes

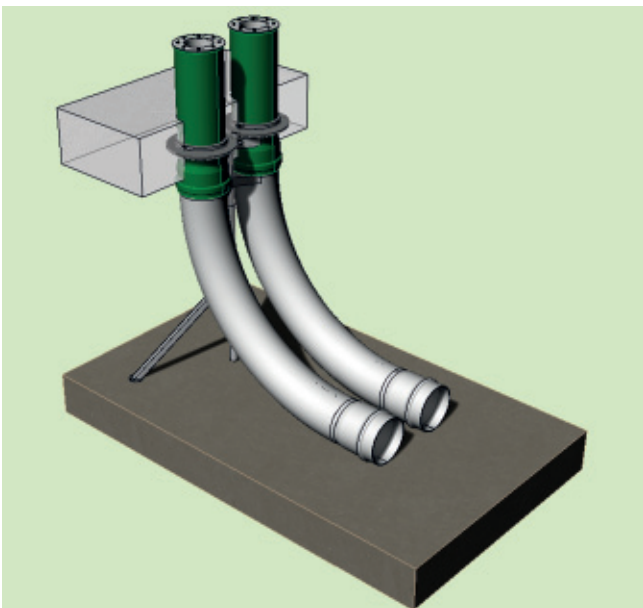


Supplied



Single builder set 4 heating

- Baseplate penetration incl. wall collar, single casing pipe for flexible preinsulated pipes up to OD 140 mm
- Assembly stand: expandable tripod incl. installation material
- 1x Casing pipe bend
- 1x Centering ring set (System raci)
- Protective end caps
- 1x Pressio®-Rings seal type FW 2x40 mm with oversized flange
- 1x Tube lubricant



Double builder set 4 heating

- Baseplate penetration incl. wall collar, double casing pipe for flexible preinsulated pipes up to OD 140 mm
- Assembly stand: expandable tripod incl. installation material
- 2x Casing pipe bend
- 2x Centering ring set (System raci)
- Protective end caps
- 2x Pressio®-Rings seal type FW 2x40 mm with oversized flange
- 1x Tube lubricant

Installation Instruction

District Heating Baseplate Penetration 4 pipes



Installation of district heating baseplate penetration - raw construction part

1.



Set up tripod vertically.

On sandy ground, secure the feet with pads to prevent them from sinking in.

2.



Place the district heating baseplate penetration with the pre-mounted holder in the tripod.

The desired height can be set using the adjusting screws.



3. Optionally, the district heating baseplate penetration can be extended on site with KG2000 pipe/KG pipe.

Installation Instruction

District Heating Baseplate Penetration 4 pipes



Checking the correct height of the wall collar (centre of the baseplate)

Example:

- Trench depth 1000mm
- Thickness of the baseplate 250mm
- Height of the wall collar approx. 1150mm



Level district heating baseplate penetration with spirit level.



Mount PE end cap, fix with adhesive tape if necessary.

If necessary, fasten district heating baseplate penetration with wire rods in the armouring.

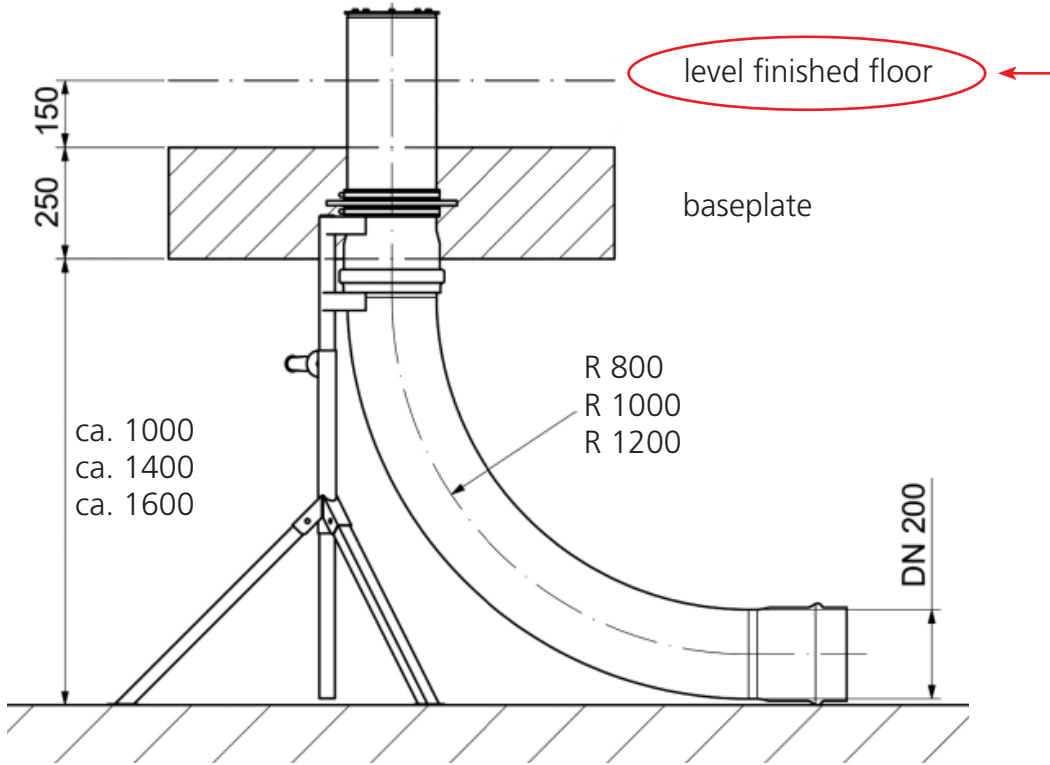
7. Now the baseplate can be poured.

Installation Instruction

District Heating Baseplate Penetration 4 pipes



Installation of district heating baseplate penetration - installation set



1. After completion of the finished floor:

Optionally, the projection of the district heating baseplate penetration can be shortened to **the upper edge of the finished floor** using a saw.

2. The district heating pipe is inserted.
3. Clean the mounting surfaces of the seals:
 - Inner surface of district heating baseplate penetration
 - Outer surface of district heating pipe





Place the centring ring around the district heating pipe in the baseplate penetration.

To do this, use a pipe wrench to snap in the locking lugs only so far that the centring ring can still be easily pushed into the district heating pipe entry.

Installation Instruction District Heating Baseplate Penetration 4 pipes



5.  Installation of the 4 pipes Pressio annular space seal type FW with large flange
- Compare the outside diameter of the district heating pipe with the specifications on the seal set
 - Place the seal over the district heating

6.  Push the seal together with the centring ring into the district heating baseplate penetration until the sealing flange is positioned flush.

Tighten the screws evenly with the torque spanner

Attention: max. tightening torque 5 Nm

District Heating Baseplate Penetration 4 pipes



Products / Accessories	Product description	R=800 mm Art.-No.	R=1000 mm Art.-No.	R=1200 mm Art.-No.
Builder-Set 4 heating single DN 200	for flexible preinsulated pipe OD 69 - 78 mm	09605	09660	09675
Builder-Set 4 heating single DN 200	for flexible preinsulated pipe OD 88-103 mm	09601	09661	09676
Builder-Set 4 heating single DN 200	for flexible preinsulated pipe OD 108-115 mm	09602	09662	09677
Builder-Set 4 heating single DN 200	for flexible preinsulated pipe OD 119-128 mm	09603	09663	09678
Builder-Set 4 heating single DN 200	for flexible preinsulated pipe OD 135-144 mm	09604	09664	09679
Builder-Set 4 heating double DN 200	for flexible preinsulated pipes 2x OD 69 - 78 mm	09615	09666	09685
Builder-Set 4 heating double DN 200	for flexible preinsulated pipes 2x OD 88-103 mm	09611	09667	09686
Builder-Set 4 heating double DN 200	for flexible preinsulated pipes 2x OD 108-115 mm	09612	09668	09687
Builder-Set 4 heating double DN 200	for flexible preinsulated pipes 2x OD 119-128 mm	09613	09669	09688
Builder-Set 4 heating double DN 200	for flexible preinsulated pipes 2x OD 135-144 mm	09614	09670	09689

Products / Accessories	Product description	Art.-No.
Pressio® 187-191 / 69-78 V2A Type FW with oversized flange	2 x 40 mm EPDM, bolts V2A	00763
Pressio® 187-191 / 88-103 V2A Type FW with oversized flange	2 x 40 mm EPDM, bolts V2A	00764
Pressio® 187-191 / 108-115 V2A Type FW with oversized flange	2 x 40 mm EPDM, bolts V2A	00765
Pressio® 187-191 / 119-128 V2A Type FW with oversized flange	2 x 40 mm EPDM, bolts V2A	00766
Pressio® 187-191 / 135-144 V2A Type FW with oversized flange	2 x 40 mm EPDM, bolts V2A	00767
Wall collar for OD 200 mm	incl. steel straps	12811
PE endcap DN 200	protective cover	13024
Casing end seal AKT DN 200/150-0	incl. steel straps	18091
Lubricant 150 ml	for mounting the protective tubes	09599



Endseal AKT
for short-term closure or sealing
the flexible preinsulated pipe



Single builder set
4 heating



Double builder set
4 heating



4 pipes GmbH
Sigmundstraße 182
90431 Nuremberg
Germany
Phone +49 (0)911 81006-0
Fax +49 (0)911 81006-111
info@4pipes.de
www.4pipes.de

