



Pipeline Accessories

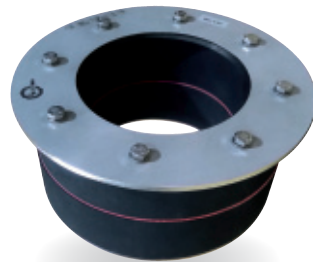
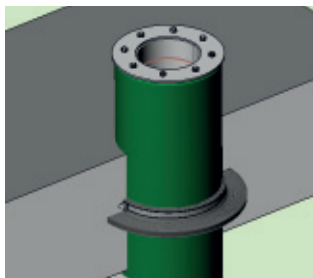
District Heating
Baseplate Penetration
4 pipes



District Heating Baseplate Penetration 4 pipes



The Builder Set contains the appropriate 4 pipes sealing: **Pressio®-Rings Type FW** with oversized flange for diameters of flexible preinsulated pipes.



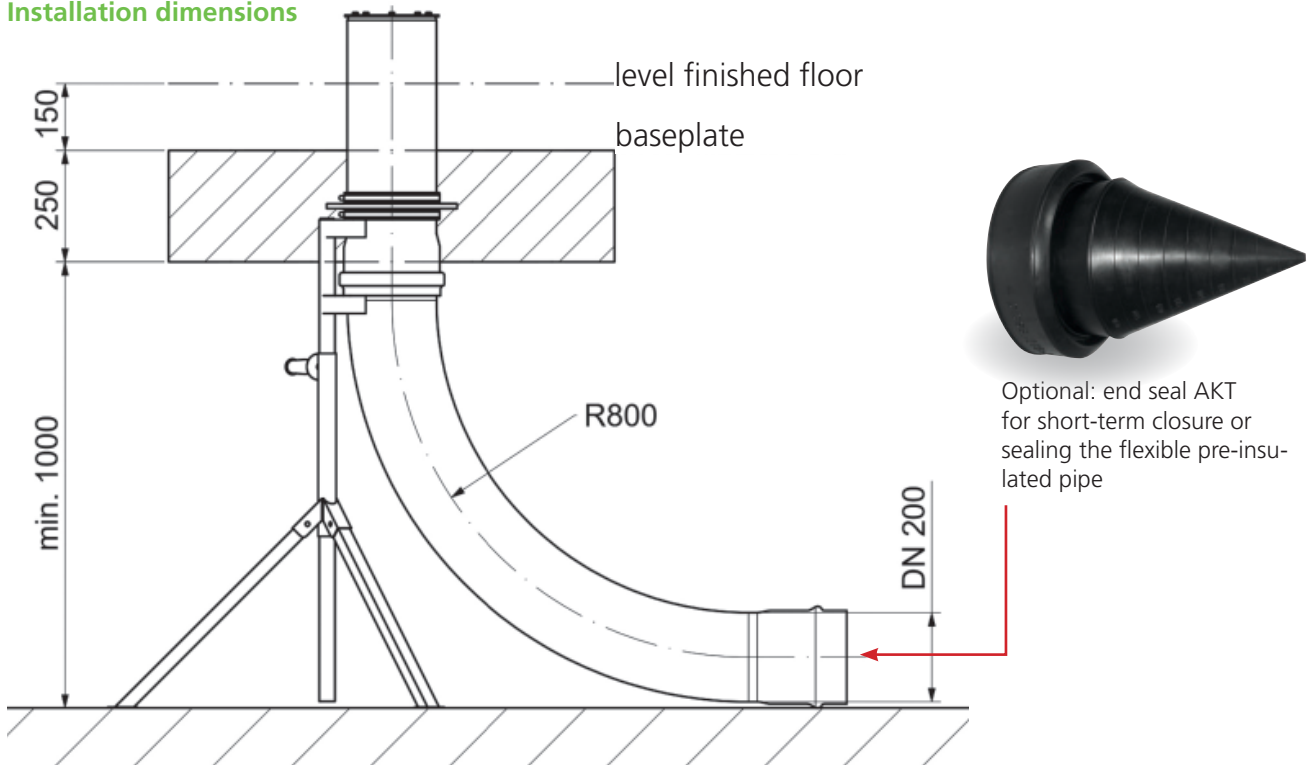
The new district heating baseplate penetration 4 pipes has been developed for direct concrete encasing into the baseplate, for the feed-in and secure sealing of flexible district heating pipes. The components can be mounted in just a few simple steps:

- guaranteed tightness to withstand high external water pressure up to 5 bar (MFWA tested) using the proven 4 pipes wall collar
- certified **radon tightness**
- solid positioning and easy adjustment in the pipe trench
- suitable for all common systems of flexible preinsulated pipes
- ready for connecting a KG2000- / KG-pipe at the construction site
- easy installation: position of connection sleeves and pipe bends guarantee an **optimum pipe feed**
- intelligent development of new construction areas

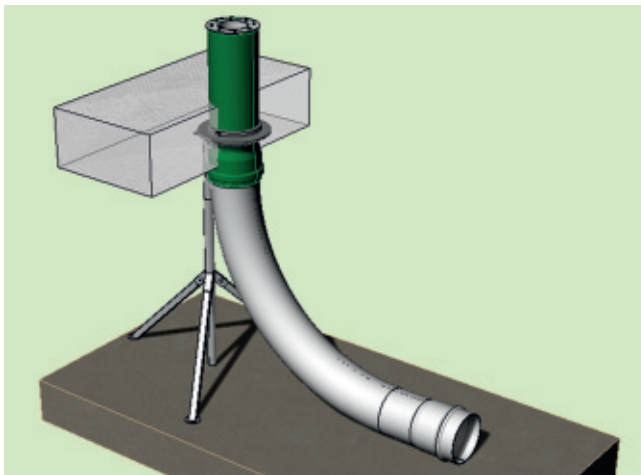
Products / Accessories	Product description	Art.-No.
Builder-Set 4 heating single DN 200	for flexible pre-insulated pipe OD 69-78 mm	09605
Builder-Set 4 heating single DN 200	for flexible pre-insulated pipe OD 88-103 mm	09601
Builder-Set 4 heating single DN 200	for flexible pre-insulated pipe OD 108-115 mm	09602
Builder-Set 4 heating single DN 200	for flexible pre-insulated pipe OD 119-128 mm	09603
Builder-Set 4 heating single DN 200	for flexible pre-insulated pipe OD 135-144 mm	09604
Builder-Set 4 heating double DN 200	for flexible pre-insulated pipes 2x OD 69-78 mm	09615
Builder-Set 4 heating double DN 200	for flexible pre-insulated pipes 2x OD 88-103 mm	09611
Builder-Set 4 heating double DN 200	for flexible pre-insulated pipes 2x OD 108-115 mm	09612
Builder-Set 4 heating double DN 200	for flexible pre-insulated pipes 2x OD 119-128 mm	09613
Builder-Set 4 heating double DN 200	for flexible pre-insulated pipes 2x OD 135-144 mm	09614
Pressio® 187-191/69-78 V2A Type FW with oversized flange	2 x 40 mm EPDM, bolts V2A	00763
Pressio® 187-191/88-103 V2A Type FW with oversized flange	2 x 40 mm EPDM, bolts V2A	00764
Pressio® 187-191/108-115 V2A Type FW with oversized flange	2 x 40 mm EPDM, bolts V2A	00765
Pressio® 187-191/119-128 V2A Type FW with oversized flange	2 x 40 mm EPDM, bolts V2A	00766
Pressio® 187-191/135-144 V2A Type FW with oversized flange	2 x 40 mm EPDM, bolts V2A	00767
Wall collar for OD 200 mm	incl. steel straps	12811
PE endcap DN 200	protective cover	13024
Rubber end seal AKT DN 200/150-0	incl. steel straps	18091
Lubricant 150 ml	for mounting the casing pipes	09599

District Heating Baseplate Penetration 4 pipes

Installation dimensions

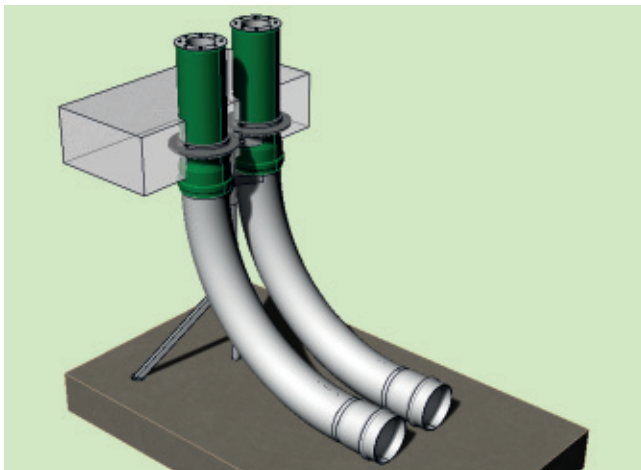


Supplied



Single Builder Set 4 heating

- 1 pc. Extendable tripod
- 1 ps. PVC-pipe bend
- 1 ps. Baseplate penetration
KG2000-pipe L=500 mm incl. wall collar
- 2 pcs. Protective end caps
- 1 pc. Pressio®-Rings seal Type FW 2 x 40 mm with oversized flange
- 1 Set Centering ring (System raci)
- 1 Set Fixing accessories for tripod
- 1 Tube Lubricant



Double Builder Set 4 heating

- 1 pc. Extendable tripod
- 2 pcs. PVC-pipe bend
- 2 pcs. Baseplate penetration
KG2000-pipe L=500 mm incl. wall collar
- 4 pcs. Protective end caps
- 2 pcs. Pressio®-Rings seal Type FW 2 x 40 mm with oversized flange
- 2 Sets Centering ring (System raci)
- 2 Sets Fixing accessories for tripod
- 1 Tube Lubricant