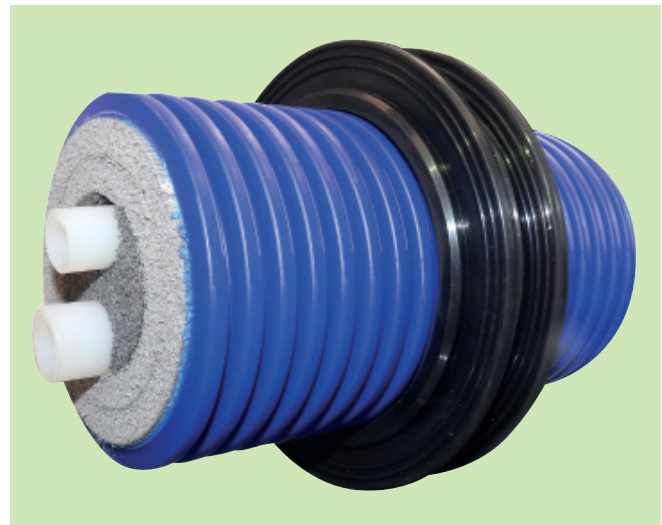


## Double Wall Collar XL 4 pipes



### Product information

Double Wall Collars XL 4 pipes serve as a water barrier for pipelines within the wall, especially for wall penetrations where carrier pipes or wall sleeves are directly cast into the concrete. Wall collars are used when the retrofit application of a wall sleeve or core hole is not possible and no adjustable seal makes sense. The required concrete cover of the wall collar is to be considered depending on the concrete quality. We recommend a coverage of min. 40 mm for waterproof concrete.

### Application

The dimensions of the Double Wall Collar XL 4 pipes are made for plastic and **flexible corrugated plastic pipes**. Hydrostatic sealing of pipeline wall and baseplate penetrations especially in concrete.

### Advantages

- **Double sealing** collar
- Fast mounting with **only one steel strap**
- Secure water stop according to the W2-E standard (DIN 18533-1)
- Radon tight
- Usable for various pipe materials
- ideal for corrugated pipe due to broad structural shape and **sturdy rubber base** which does not slip between two corrugations
- Easy mounting due to soft rubber compound
- High quality EPDM rubber
- Stainless steel fastening strap

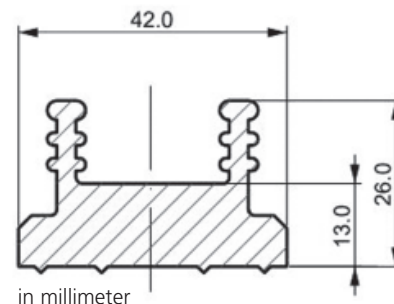
#### EPDM Rubber features

Service temperature	120 °C max.
Minimum temperature	- 40 °C
Elongation at break	min. 500%
Hardness	45 ± 5 Shore A

The 4 pipes warranty only applies to faulty material. Checking the suitability of the product for the individual application is solely the responsibility of the user.

### Application instructions

1. Clean pipe surface which has to be cast in concrete
2. Put wall collar on the carrier pipe
3. Push wall collar up to the middle of the wall / baseplate
4. Fix steel strap around the wall collar
5. Cast into concrete in a professional way



Type	OD wall collar	Art.-No.
Wall collar XL EPDM for OD 50 mm	102 mm	12773
Wall collar XL EPDM for OD 75 mm	127 mm	12775
Wall collar XL EPDM for OD 100 mm	152 mm	12777
Wall collar XL EPDM for OD 110 mm	162 mm	12778
Wall collar XL EPDM for OD 125 mm	177 mm	12779
Wall collar XL EPDM for OD 150 mm	202 mm	12782
Wall collar XL EPDM for OD 160 mm	212 mm	12783
Wall collar XL EPDM for OD 175 mm	227 mm	12784
Wall collar XL EPDM for OD 200 mm	252 mm	12785
Wall collar XL EPDM for OD 250 mm	302 mm	12787

5% expandable, Special dimensions on request