



Pipeline Accessories

District Heating
Baseplate Penetration
4 pipes



District Heating Baseplate Penetration 4 pipes Complete Set

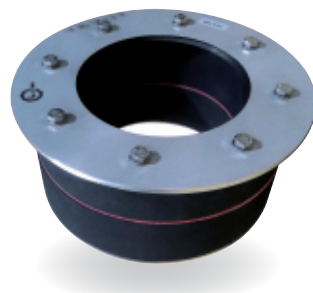
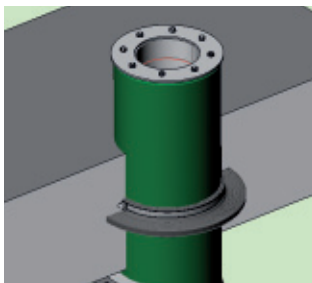


The Builder Complete Set contains the appropriate 4 pipes sealing:
Pressio®-Rings Type FW with oversized flange for diameters of flexible preinsulated pipes.

The new district heating baseplate penetration 4 pipes has been developed for **direct concrete encasing into the baseplate**, for the feed-in and secure sealing of **flexible district heating pipes**.

The components can be mounted in just a few simple steps.

- **preassembled ready to use**
- guaranteed tightness to **withstand high external water pressure** up to 5 bar (MFPA tested) using the proven 4 pipes wall collar
- certified **radon tightness**
- solid positioning and easy adjustment in the pipe trench
- suitable for all common systems of flexible preinsulated pipes
- ready for connecting a KG2000- / KG-pipe at the construction site
- easy installation: position of connection sleeves and pipe bends guarantee an **optimum pipe feed**
- intelligent development of new construction areas



Flex pipe jacket OD	Minimum bending radius flex pipe						Resulting elbow radius (mm) of baseplate penetration set
	up to 0,9 m	1,0 m	1,1 m	1,2 m	1,3 m	1,4 m	
FW 90	800	800	1000	1000	1200	1200	
FW 110	800	1000	1000	1200	1200		
FW 125	800	1000	1000	1200	1200		
FW 140	800	1000	1000	1200	1200		

NOTE: By choosing the correct radius of the baseplate penetration the minimum bending radius of the flexpipe is always maintained.

District Heating Baseplate Penetration 4 pipes Complete Set



Product		Description	Elbow radius		
			R=800 mm	R=1000 mm	R=1200 mm
			Art.-No.	Art.-No.	Art.-No.
single	Builder basic set 4 heating baseplate penetration single DN 200	Empty conduit system without sealing	09600	09659	09674
	Builder complete set 4 heating baseplate penetration single DN 200	for flexible pre-insulated pipe OD 69-78 mm	09605	09660	09675
	Builder complete set 4 heating baseplate penetration single DN 200	for flexible pre-insulated pipe OD 88-103 mm	09601	09661	09676
	Builder complete set 4 heating baseplate penetration single DN 200	for flexible pre-insulated pipe OD 108-115 mm	09602	09662	09677
	Builder complete set 4 heating baseplate penetration single DN 200	for flexible pre-insulated pipe OD 119-128 mm	09603	09663	09678
	Builder complete set 4 heating baseplate penetration single DN 200	for flexible pre-insulated pipe OD 135-144 mm	09604	09664	09679
double	Builder basic set 4 heating baseplate penetration double DN 200	Empty conduit system without sealing			
	Builder complete set 4 heating baseplate penetration double DN 200	for flexible pre-insulated pipes 2x OD 69-78 mm	09615	09666	09685
	Builder complete set 4 heating baseplate penetration double DN 200	for flexible pre-insulated pipes 2x OD 88-103 mm	09611	09667	09686
	Builder complete set 4 heating baseplate penetration double DN 200	for flexible pre-insulated pipes 2x OD 108-115 mm	09612	09668	09687
	Builder complete set 4 heating baseplate penetration double DN 200	for flexible pre-insulated pipes 2x OD 119-128 mm	09613	09669	09688
	Builder complete set 4 heating baseplate penetration double DN 200	for flexible pre-insulated pipes 2x OD 135-144 mm	09614	09670	09689

Installation kit <ul style="list-style-type: none"> • One Pressio®-Rings seal type FW with oversized flange • One set of centering ring (system raci) 	for subsequent addition to the basic set*	Art.-No.	
		for flexible pre-insulated pipes OD 69 - 78 mm	09625
		for flexible pre-insulated pipes OD 88 - 103 mm	09621
		for flexible pre-insulated pipes OD 108 - 115 mm	09622
		for flexible pre-insulated pipes OD 119 - 128 mm	09623
		for flexible pre-insulated pipes OD 135 - 144 mm	09624

* 2 installation kits are required for a double set

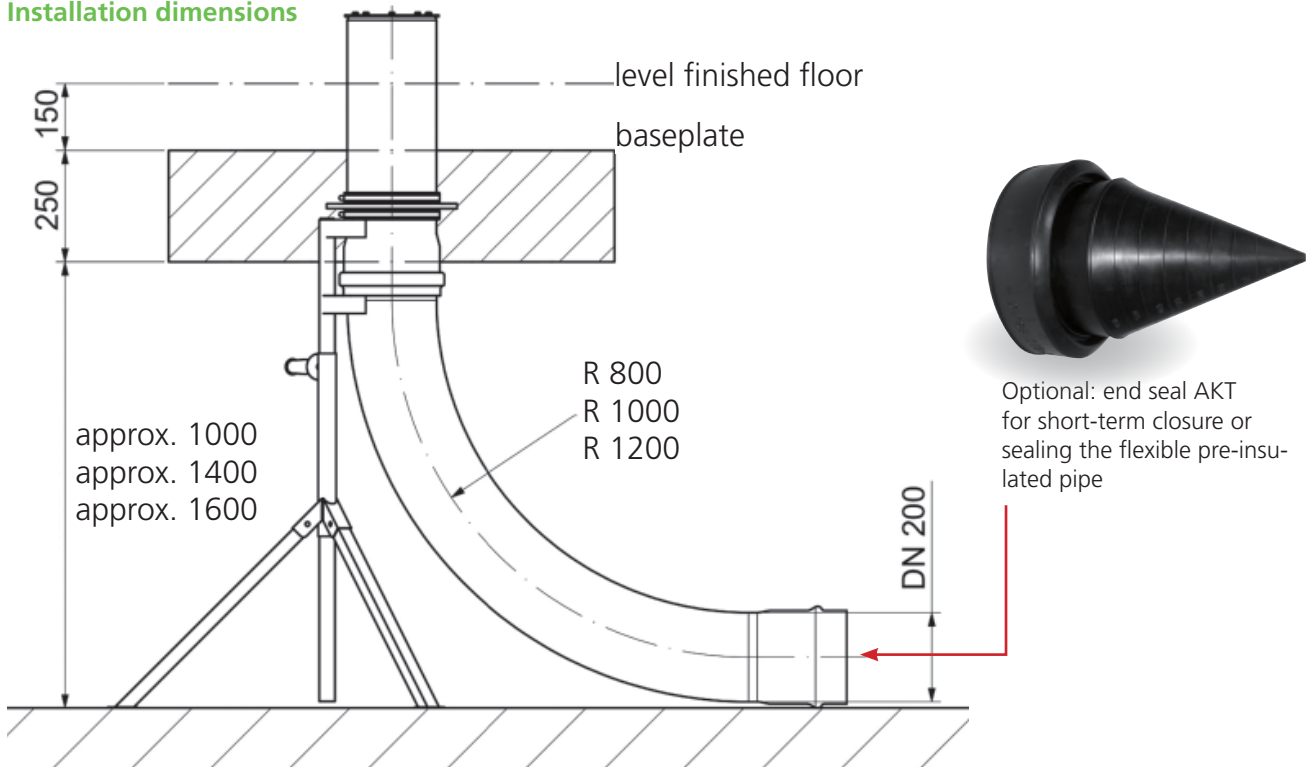
Accessories / spare parts

Product	Description	Art.-No.
Wall collar for OD 200 mm	incl. steel straps	12811
PE endcap DN 200	protective cover	13024
Rubber end seal AKT DN 200/150-0	incl. steel straps	18091
Lubricant 150 ml	for mounting the casing pipes	09599

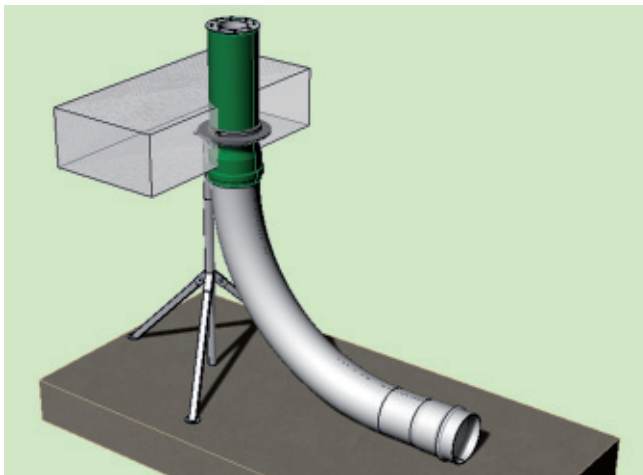
District Heating Baseplate Penetration 4 pipes Complete Set



Installation dimensions



Supplied



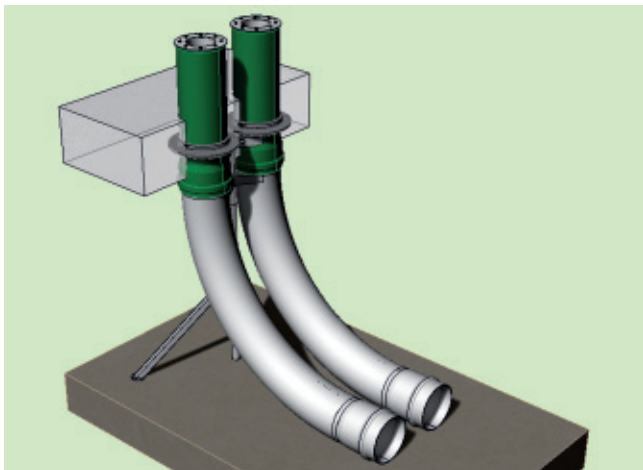
Single Builder Complete Set 4 heating

Basic set

- Baseplate penetration incl. wall collar, one casing pipe for flexible preinsulated pipes up to OD 140 mm max.
- Mounting stand: telescoping tripod incl. fixing accessories
- One PVC-pipe bend
- Protective endcaps

Installation kit

- One kit of centering ring (system raci)
- One Pressio®-Rings seal type FW 2x40 mm with oversized flange



Double Builder Complete Set 4 heating

Basic set

- Baseplate penetration incl. wall collar, two casing pipes for flexible preinsulated pipes up to OD 140 mm max.
- Mounting stand: extendable tripod incl. fixing accessories
- Two PVC-pipe bends
- Protective endcaps

Installation kit

- Two kits of centering ring (system raci)
- Two Pressio®-Rings seal type FW 2x40 mm with oversized flange